



**UT SERIES**  
**4-WHEEL ELECTRIC FORKLIFT**  
**PRODUCT BROCHURE**

**J1.5-3.5UT**

---



# OVERVIEW

The Hyster® UT Series provides the ideal solution to meet your less frequent usage needs, without compromising on performance.

## The Range

The J1.5-3.5UT range is available in six different capacities:

- 1,500KG – J1.5UT
- 1,800KG – J1.8UT
- 2,000KG – J2.0UT
- 2,500KG – J2.5UT
- 3,000KG – J3.0UT
- 3,500KG – J3.5UT

## Design

The design of the UT range has been engineered with the driver in mind. The ergonomically designed operator compartment, with a familiar layout, means that drivers will be able to work effortlessly. A range of standard features and options help to ensure the truck is configured to the needs of the application.

## Low Cost of Ownership

The use of high quality and robust components contribute to reliable operations and lower wear and tear. This, together with fast availability of cost-effective replacement parts helps to reduce maintenance requirements and costs.

## Hydraulics

High quality cylinders with hard chrome rods reduce seal wear for long life. A full-flow, low pressure filter on the return line keeps the hydraulic oil clean, which helps to minimise seal and pump wear. In addition, this keeps the control valve in good condition, leading to low service costs.



# FEATURES

---



## **1 HIGH STRENGTH OVERHEAD GUARD**

The overhead guard features profiled steel, with high strength materials to enhance reliability and operator protection.

## **2 LOW STEP HEIGHT**

The conveniently positioned low step provides easy access to the truck.

## **3 AC CONTROLLER**

European designed AC controllers coupled with AC traction and hydraulic motors allow for precise truck controllability. The controllers are easily accessible which can also minimise service time.

## **4 SMALL STEERING WHEEL**

The adjustable steering wheel position provides convenience for the operator as it provides 8 degrees of adjustment. Low steering effort makes it easy to operate in confined spaces.

## **5 INTEGRATED MOTOR, TRANSMISSION AND AXLE**

The compact structure of the drive system provides adequate access for maintenance. Precision cut gears are incorporated, leading to reduced wear and lower noise levels.

## **6 WIDE VIEW MAST**

The wide view mast can significantly improve the operator's forward field of view, providing an increase in comfort and safety.

# FEATURES



## Safety and Compliance

- High visibility mast with soft landing as standard to absorb shocks
- Controlled mast lowering speed avoids damaging goods
- Secure overhead guard passed CE drop test and safety standards
- LED lights as standard
- Operator presence system provides increased operator safety
- Sequential seatbelt interlock feature and travel speed limiting with mast elevated available for Australia



## Comfort

- Hydraulic power steering requires low steering effort without kick-back which allows for precise positioning
- Full suspension seat reduces driver fatigue
- Adjustable steering column and seat to suit all operators
- Low entrance step and large floor space
- Ergonomically designed hand brake



## Performance

- Simple and clear display of speed, power, error code, working hours ensure that the operator is fully informed
- The latest colour display integrated with functions such as performance selection allows the operator to configure the truck to meet different application requirements
- AC traction and lifting motors, with electronic control delivers a high level of performance

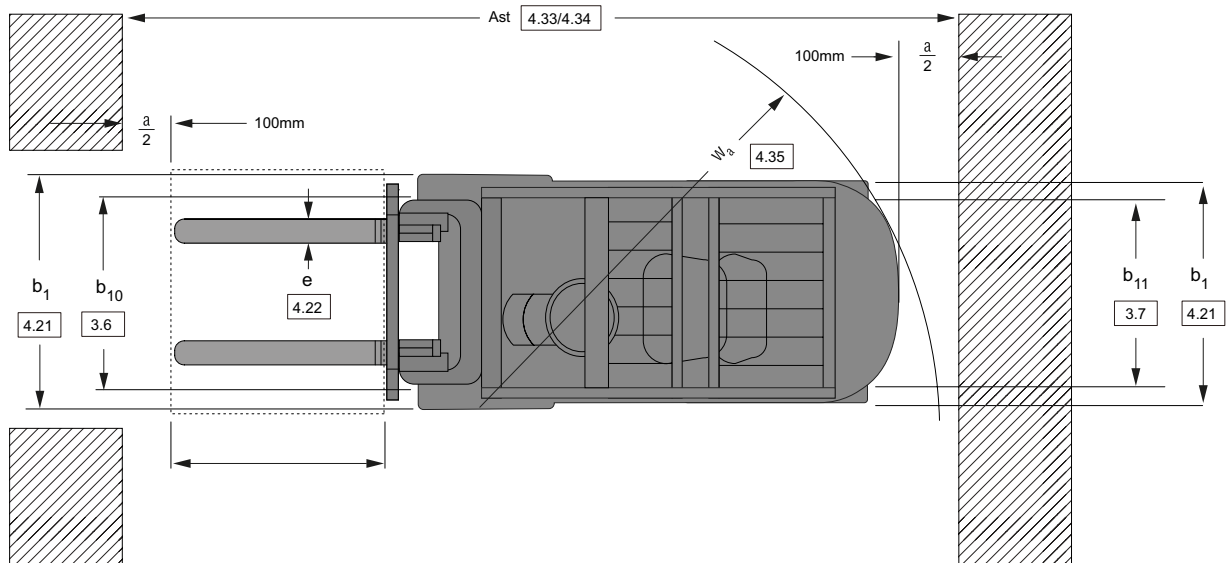
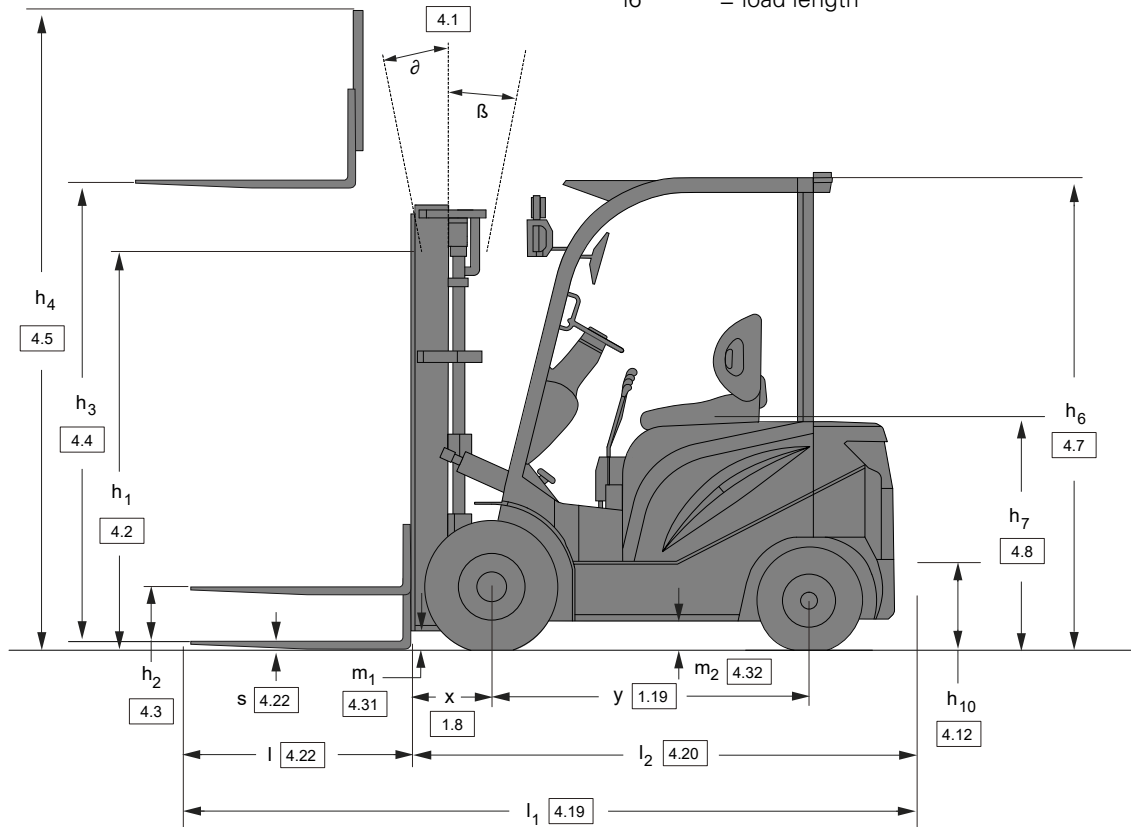


## Service

- AC traction and hydraulic motors reduce maintenance cost
- IP54 design ensures reliability
- The controller assembly is mounted inside the counterweight and is protected by an easy to remove cover
- CANbus communication simplifies troubleshooting

# DIMENSIONS

$A_{st} = Wa + x + 16 + a$   
 $a$  = Minimum operating clearance of 200mm  
 $l_6$  = load length



# SPECIFICATIONS

Distinguishing mark	1.1	Manufacturer		HYSTER						
		Model designation	J1.5UT	J1.8UT	J2.0UT	J2.5UT	J3.0UT	J3.5UT		
Weight	1.2	Power: battery, diesel, LPG, electric mains	Battery							
	1.4	Operation: manual, pedestrian, stand, seat, orderpicker	Seated							
Dimensions	1.5	Load capacity	Q (kg)	1500	1800	2000	2500	3000	3500	
	1.6	Load centre	c (mm)	500						
	1.8	Load distance	x (mm)	410	410	454	454	475	495.5	
	1.9	Wheelbase	y (mm)	1380	1380	1485	1485	1670	1690	
	2.1	Unladen weight (max. battery)	kg	2950	3230	3930	4100	4750	5400	
	2.2	Axle loading, laden front/rear (max. battery)	kg	3960/490	4280/610	5160/750	5755/845	6900/850	7865/1035	
	2.3	Axle loading, unladen front/rear (max. battery)	kg	1390/1560	1290/1800	1895/2035	1650/2450	2070/2680	2300/3100	
	3.1	Tyres: L=pneumatic, V=cushion SE= superelastic		SE						
	3.2	Tyre size, front		6.00-9	21x8-9	23x9-10		23x10-12		
	3.3	Tyre size, rear		5.00-8		18x7-8		200/50-10		
3.5	Number of wheels, front/rear (X = driven)		2x/2							
3.6	Track width, front	b10 (mm)	955	1058		1065	1124			
3.7	Track width, rear	b11 (mm)	920	960		980	1010			
4.1	Mast tilt, forward a /back b	degrees	5/10							
4.2	Height of mast, lowered	h1 (mm)	2000	2015		2045	2120			
4.3	Free lift, *	h2 (mm)	135	140		165				
4.4	Lift height, *	h3 (mm)	3000							
4.5	Height of mast, extended E	h4 (mm)	3980							
4.7	Height to top of overhead guard m	h6 (mm)	2155	2152		2138				
4.8	Seat height u	h7 (mm)	1080							
4.12	Towing coupling height	h10 (mm)	290	250		270				
4.19	Overall length (with forks)	l1 (mm)	2993	3356.5		3618	3709			
4.20	Length to face of forks	l2 (mm)	2073	2286.5		2548	2639			
4.21	Overall width	b1 (mm)	1120	1285				1365		
4.22	Fork dimensions	s/e/l (mm)	35/100/920	40/122/1070		45/122/1070	50/122/1070			
4.23	Fork carriage DIN 15173. Class, A/B		2A			3A				
4.24	Fork carriage width E	b3 (mm)	1040			1100				
4.25	Width over forks	b5 (mm)	890	1000		1060				
4.31	Ground clearance, laden, below mast	m1 (mm)	95	65				80		
4.32	Ground clearance at centre of wheelbase	m2 (mm)	105	95		110	83			
4.33	Aisle width with pallets 1000mm long x 1200mm wide	Ast (mm)	3541	3732		4025	4101			
4.34	Aisle width with pallets 800mm wide x 1200mm long	Ast (mm)	3741	3932		4225	4301			
4.35	Outer turning radius	Wa (mm)	1965	2080		2349	2405			
4.36	Inner turning radius	b13 (mm)	703	599		830	815			
Performance data	5.1	Travel speed laden/unladen	km/h	15/16						
	5.2	Lifting speed laden/unladen	mm/s	320/400	300/400	320/400	280/400	320/400	280/400	
	5.3	Lowering speed laden/unladen	mm/s	390/500		390/420		400/320		
	5.6	Maximum drawbar pull laden/unladen, 5 minute rating	N	11600/7500		13000/10500		19000/11000		
	5.8	Maximum gradeability with/without load, 5 minute rating	%	15/23	14/22	15/23	15/22			
	5.9	Acceleration time with/without load 10m	sec	5/4.5		5.4/4.5	5.5/4.7		5.7/5.2	
5.10	Service brake		Hydraulic							
Electric-Motor	6.1	Drive Motor Rating, S2, 60min	kW	6.5		8.5		11.5		
	6.2	Lifting motor, S3 15% rating	kW	8.6		11		15		
	6.4	Battery voltage/capacity (5hr rate)	V/Ah	48/420		48/600		80/500		
	6.5	Battery weight (min/max)	kg	710		950		1420		
	NEW	Battery dimensions	l/w/h(mm)	985/465/750		1028/500/780		1028/683/780		
6.6	Power consumption in accordance with VDI cycle	kWh/h	4.8	5.0	5.7	6.2	7.6	8.0		
Additional data	8.1	Drive control		AC						
		Manufacturer		Curtis						
	8.2	Operating pressure for attachments x	bar	145	145	175				
	8.3	Oil volume for attachments	l/min	38						
	8.4	Average noise level at operator's ear ~	dB (A)	70.3		67.5		71.8		
8.5	Towing coupling, type DIN		Ø30 Pin							

- ~ LPAZ, measured according to the test cycles and based on the weighting values contained in EN12053
- \* Bottom of forks
- u Full suspension specified
- E Without load backrest
- m h6 subject to +/- 5 mm tolerance
- x Variable

Specification data is based on VDI 2198, with the following configuration: Complete truck with 3000mm 2-stage limited free lift mast, standard carriage and forks, overhead guard and standard superelastic drive and steer tyres.

# MAST SPECIFICATIONS

Mast Type	Max fork height (mm)	Overall Extended Height				Free Lift		Mast Tilt		Capacity Without SideShift				Capacity With SideShift				
		Lowered height (mm)	Lift height		Without LBR (mm)	With LBR (mm)	F (Deg)	B (Deg)	Single Pneu Tyres (kg)		Single Solid Tyres (kg)		Single Pneu Tyres (kg)		Single Solid Tyres (kg)			
			Without LBR (mm)	With LBR (mm)					@ 500 mm LC	@ 600 mm LC	@ 500 mm LC	@ 600 mm LC	@ 500 mm LC	@ 600 mm LC	@ 500 mm LC	@ 600 mm LC		
J1.5 UT	2LFL	3300	2140	3813	4284	135	135	5	10	1500	1390	1500	1410	1470	1330	1490	1350	
		3500	2240	4013	4484	135	135	5	10	1500	1380	1500	1400	1450	1330	1470	1350	
		4000	2540	4513	4984	135	135	5	10	1480	1340	1500	1360	1410	1280	1430	1300	
		5000	3040	5513	5984	135	135	5	6	1240	1190	1310	1190	1210	1140	1260	1140	
	2FFL	3000	1990	3513	3984	1015	1486	5	10	1500	1370	1500	1370	1460	1320	1460	1320	
		3300	2140	3813	4284	1165	1636	5	10	1500	1370	1500	1370	1450	1320	1450	1320	
		4500	2040	5013	5484	1045	1516	5	6	1390	1260	1410	1280	1330	1210	1360	1230	
		4800	2140	5313	5784	1145	1616	5	6	1250	1250	1370	1260	1250	1200	1330	1210	
	3FFL	5500	2405	6013	6484	1415	1886	3	6	880	880	990	990	870	870	990	990	
		6000	2590	6513	6984	1595	2066	3	6	660	660	760	760	640	640	750	750	
		3300	2140	3813	4284	135	135	5	10	1800	1680	1800	1680	1780	1610	1780	1610	
		3500	2240	4013	4484	135	135	5	10	1800	1680	1800	1680	1770	1610	1770	1610	
J1.8 UT	2LFL	4000	2540	4513	4984	135	135	5	10	1740	1640	1800	1640	1730	1580	1740	1580	
		5000	3040	5513	5984	135	135	5	6	1330	1320	1590	1440	1310	1290	1520	1380	
		3000	1990	3513	3984	1015	1486	5	10	1800	1680	1800	1680	1790	1630	1790	1630	
		3300	2140	3813	4284	1165	1636	5	10	1800	1680	1800	1680	1790	1620	1790	1620	
	2FFL	4500	2040	5013	5484	1045	1516	5	6	1540	1540	1740	1570	1530	1500	1670	1510	
		4800	2140	5313	5784	1145	1616	5	6	1340	1340	1710	1560	1340	1340	1650	1500	
		5500	2405	6013	6484	1415	1886	3	6	970	970	1370	1370	960	960	1360	1350	
		6000	2590	6513	6984	1595	2066	3	6	750	750	1080	1080	720	720	1080	1080	
	J2.0 UT	2LFL	3300	2180	3915	4315	140	140	5	10	2000	1850	2000	1850	1960	1780	1960	1780
			3500	2280	4115	4515	140	140	5	10	2000	1850	2000	1850	1960	1780	1960	1780
			4000	2580	4615	5015	140	140	5	10	2000	1820	2000	1820	1920	1750	1920	1750
			5000	3080	5615	6015	140	140	5	6	1620	1590	1800	1630	1590	1560	1720	1570
2FFL		3000	2030	3615	4015	985	1385	5	10	2000	1820	2000	1820	1940	1760	1940	1760	
		3300	2180	3915	4315	1135	1535	5	10	2000	1810	2000	1810	1940	1750	1940	1750	
		4500	2090	5115	5515	1040	1440	5	6	1840	1770	1910	1770	1840	1700	1870	1700	
		4800	2190	5415	5815	1140	1540	5	6	1610	1610	1860	1710	1610	1610	1810	1650	
3FFL		5500	2455	6115	6515	1400	1800	3	6	1150	1150	1480	1480	1140	1140	1480	1480	
		6000	2640	6615	7015	1590	1990	3	6	880	880	1150	1150	860	860	1140	1140	
		3300	2180	3915	4315	140	140	5	10	2500	2330	2500	2330	2470	2250	2470	2250	
		3500	2280	4115	4515	140	140	5	10	2500	2330	2500	2330	2470	2240	2470	2240	
J2.5 UT	2LFL	4000	2580	4615	5015	140	140	5	10	2380	2300	2500	2300	2350	2210	2430	2210	
		5000	3080	5615	6015	140	140	5	6	1760	1720	2290	2080	1740	1700	2200	2000	
		3000	2030	3615	4015	985	1385	5	10	2500	2290	2500	2290	2450	2220	2450	2220	
		3300	2180	3915	4315	1135	1535	5	10	2500	2290	2500	2290	2450	2210	2450	2210	
	2FFL	4500	2090	5115	5515	1040	1440	5	6	2040	2040	2400	2220	2040	2040	2350	2140	
		4800	2190	5415	5815	1140	1540	5	6	1790	1790	2290	2150	1790	1790	2280	2080	
		5500	2455	6115	6515	1400	1800	3	6	1270	1270	1630	1630	1260	1260	1640	1640	
		6000	2640	6615	7015	1590	1990	3	6	960	960	1230	1230	950	950	1230	1230	
	J3.0 UT	2LFL	3300	2195	3970	4440	165	165	5	10	3000	2750	3000	2750	2930	2670	2930	2670
			3500	2295	4170	4640	165	165	5	10	3000	2740	3000	2740	2920	2660	2920	2660
			4000	2595	4670	5140	165	165	5	10	2960	2690	2960	2690	2870	2610	2870	2610
			5000	3095	5670	6140	165	165	5	6	2300	2290	2710	2470	2290	2280	2630	2390
2FFL		3000	2045	3685	4140	935	1390	5	10	3000	2740	3000	2740	2960	2690	2960	2690	
		3300	2195	3985	4440	1085	1540	5	10	3000	2730	3000	2730	2950	2680	2950	2680	
		4500	2095	5225	5640	975	1390	5	6	2850	2660	2860	2670	2840	2580	2850	2590	
		4800	2195	5525	5940	1075	1490	5	6	2480	2480	2800	2610	2480	2480	2780	2530	
3FFL		5500	2460	6225	6640	1330	1745	3	6	1750	1750	2180	2180	1740	1740	2190	2190	
		6000	2645	6725	7140	1525	1940	3	6	1290	1290	1590	1590	1280	1280	1590	1590	
		3300	2270	4040	4440	170	170	5	10	-	-	3500	3230	-	-	3440	3140	
		3500	2370	4240	4640	170	170	5	10	-	-	3500	3220	-	-	3340	3040	
J3.5 UT	2LFL	4000	2670	4740	5140	170	170	5	6	-	-	3360	3070	-	-	3270	2990	
		5000	3170	5740	6140	170	170	5	6	-	-	3180	2890	-	-	3080	2810	
		3000	2120	3725	4140	1000	1415	5	10	-	-	3500	3200	-	-	3420	3100	
		3300	2270	4025	4440	1150	1565	5	10	-	-	3500	3190	-	-	3410	3100	
	2FFL	4500	2170	5310	5640	1050	1380	5	6	-	-	3200	2920	-	-	3110	2840	
		4800	2270	5610	5940	1150	1480	5	6	-	-	3110	2830	-	-	3020	2760	
		5500	2535	6310	6640	1405	1735	3	6	-	-	2270	2270	-	-	2270	2270	
		6000	2720	6810	7140	1600	1930	3	6	-	-	1690	1690	-	-	1690	1690	

# HYSTER® DEALERS



Contact your nearest Hyster® Dealership  
by visiting [www.hyster.com](http://www.hyster.com)




## **Hyster Pacific**

1/23 Rowood Road, Prospect NSW 2148  
Tel: +61 (2) 9795 3800 Fax: +61 (2) 9792 8484

## **Hyster Asia**

16 Tuas Avenue 20, Singapore 638827  
Tel: +65 6863 3387 Fax: +65 6863 3349

Visit us online at [www.hyster.com](http://www.hyster.com)

© Hyster Asia Pacific 2023. All rights reserved. HYSTER, , and Strong Partners. Tough Trucks are trademarks of Hyster-Yale Group, Inc. Specifications and details in this brochure are subject to change without prior notification. Please consult with your Hyster dealer for the most up to date information and to confirm exact capacities.